

Fig. 1

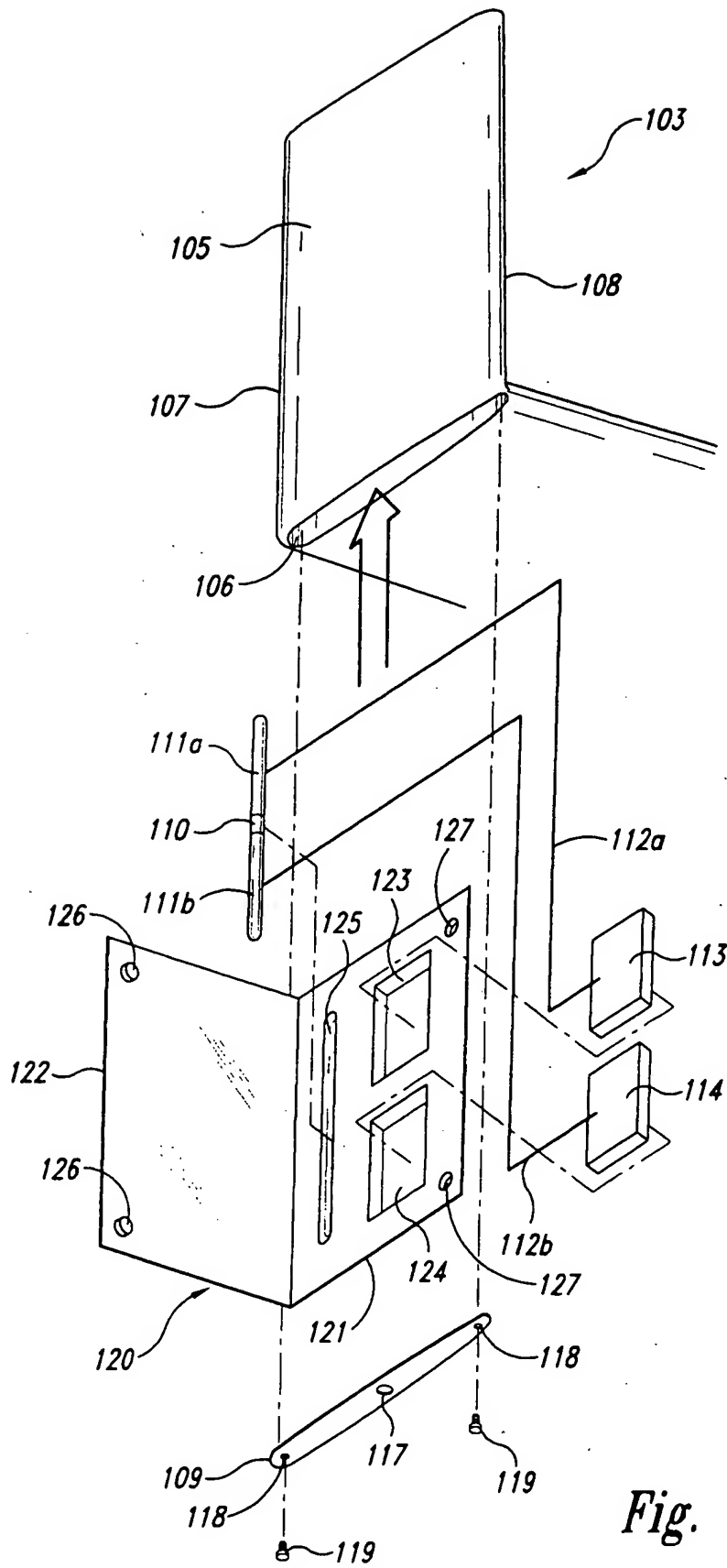


Fig. 2

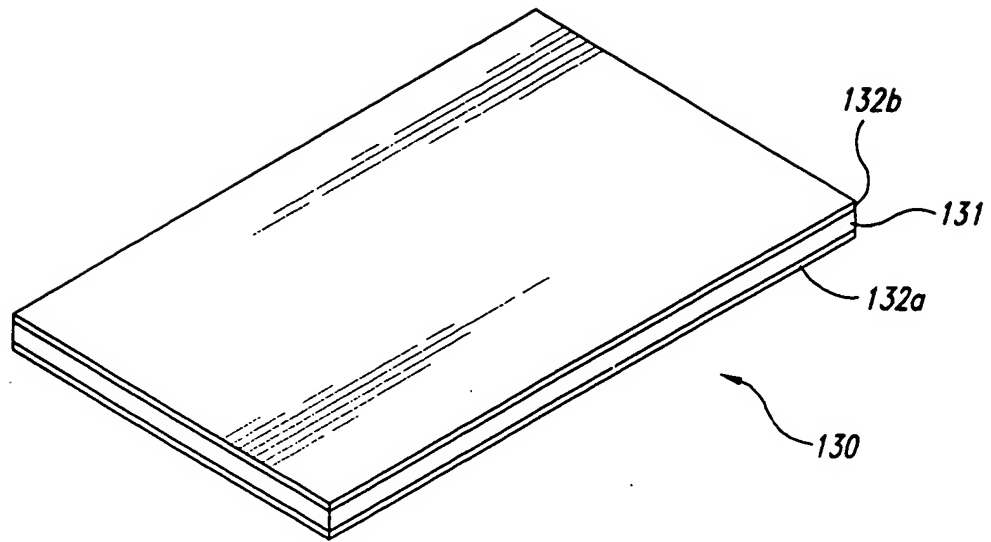


Fig. 3

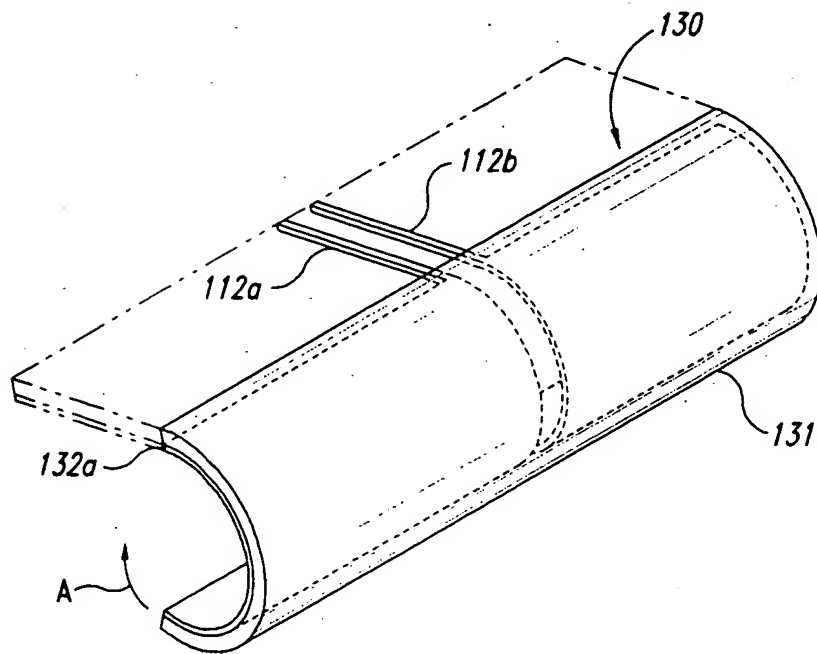


Fig. 4

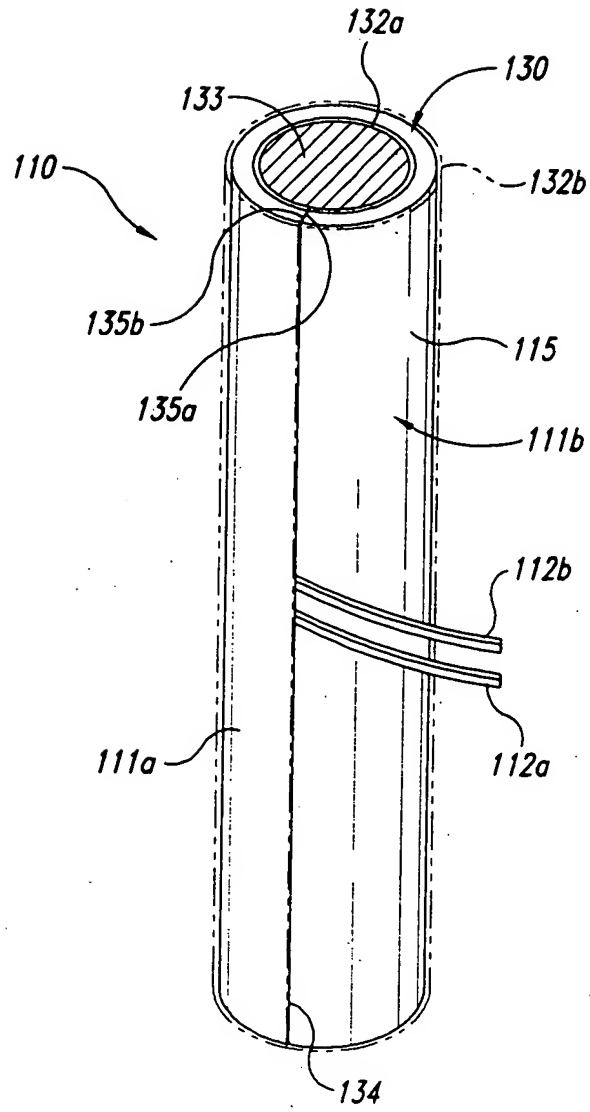


Fig. 5

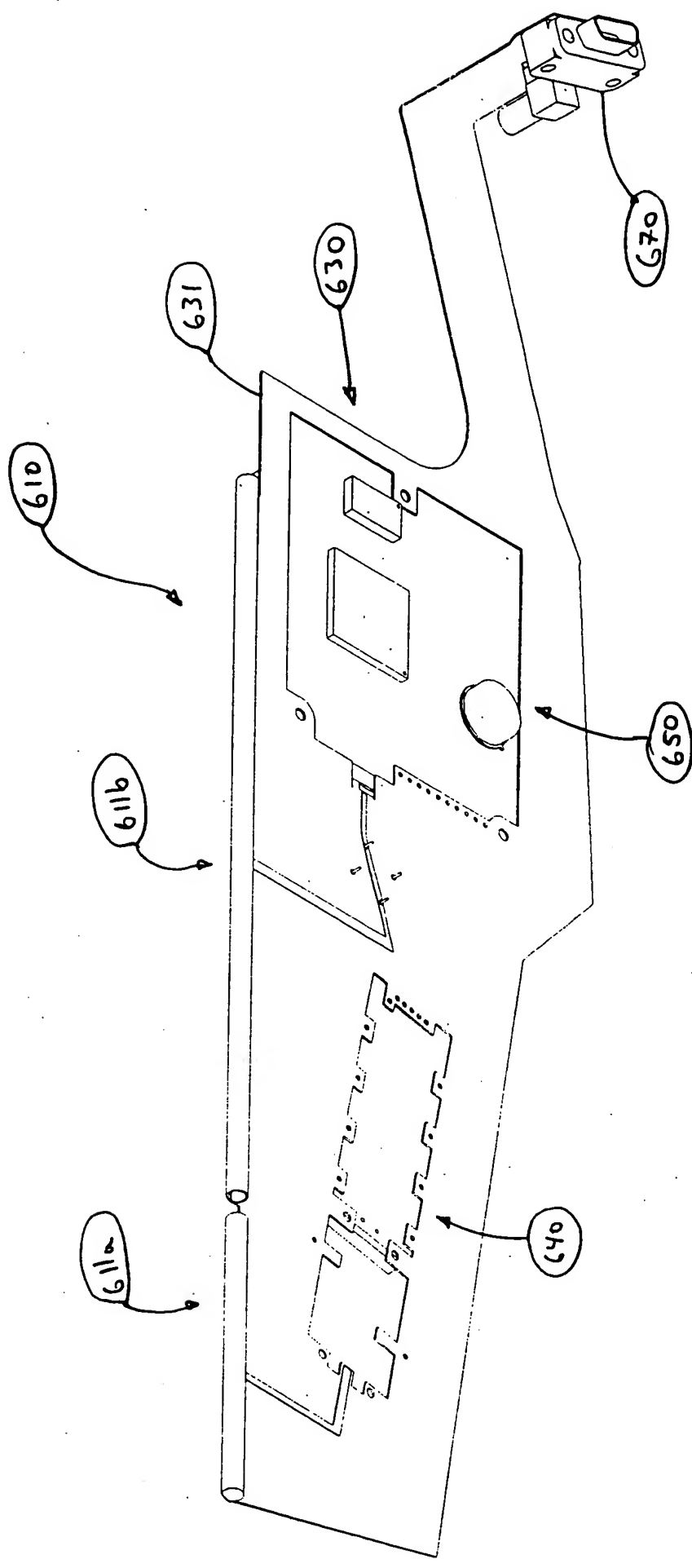


Fig. 6

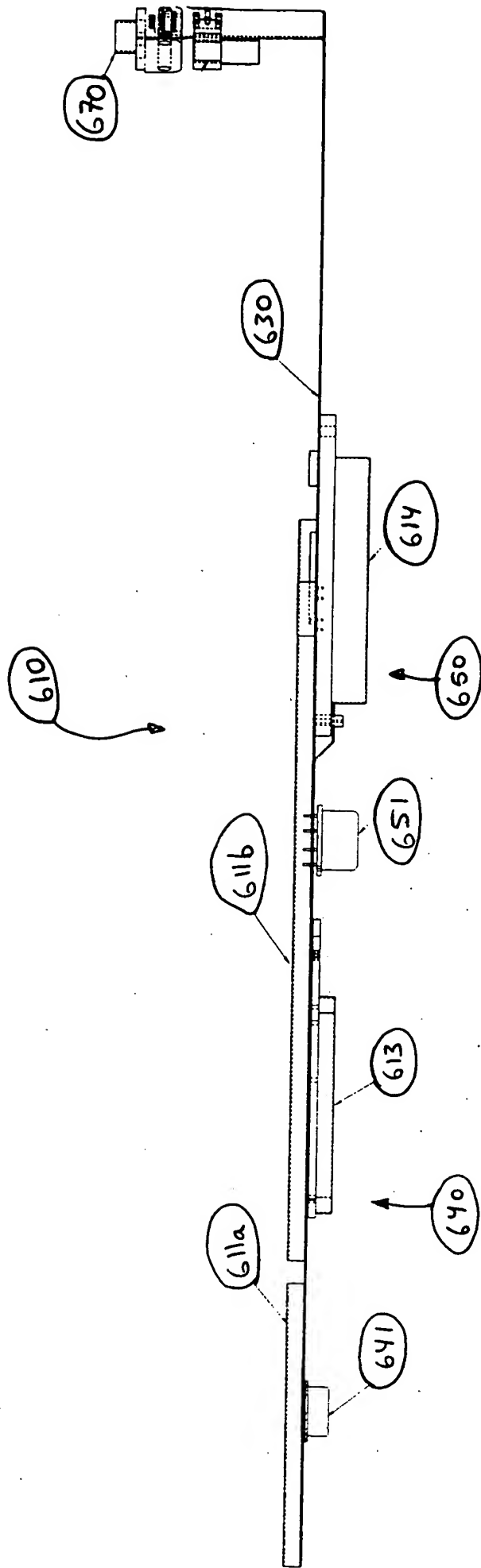


Fig. 7

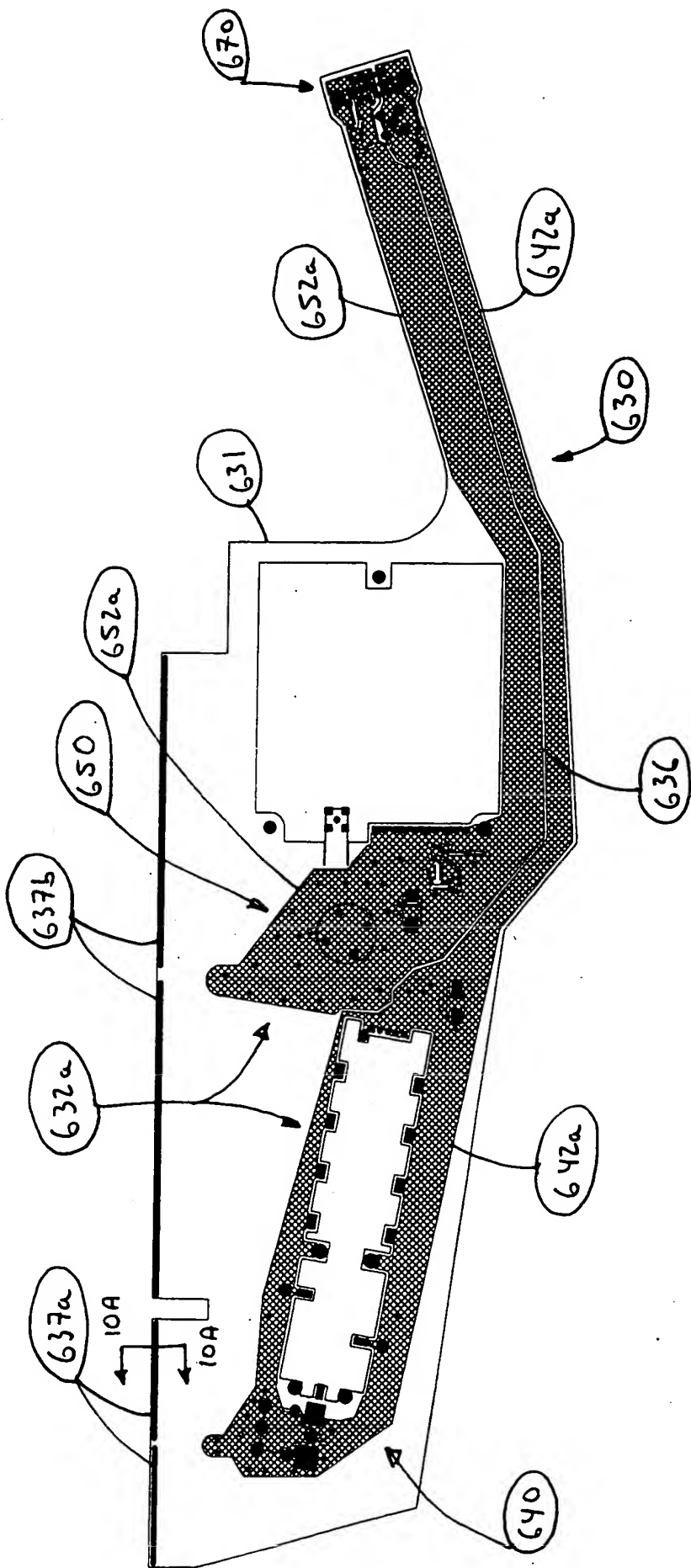


Fig. 8

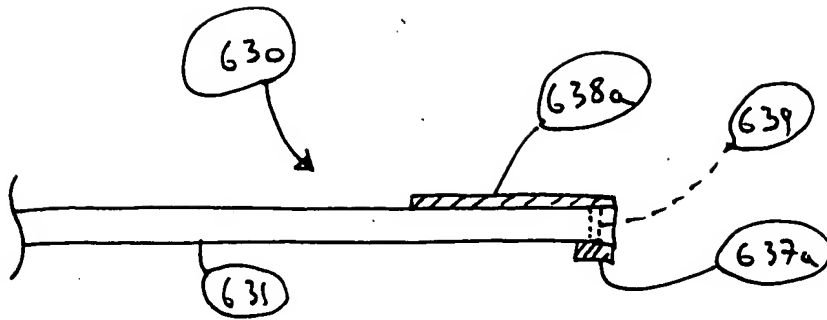


Fig. 10A

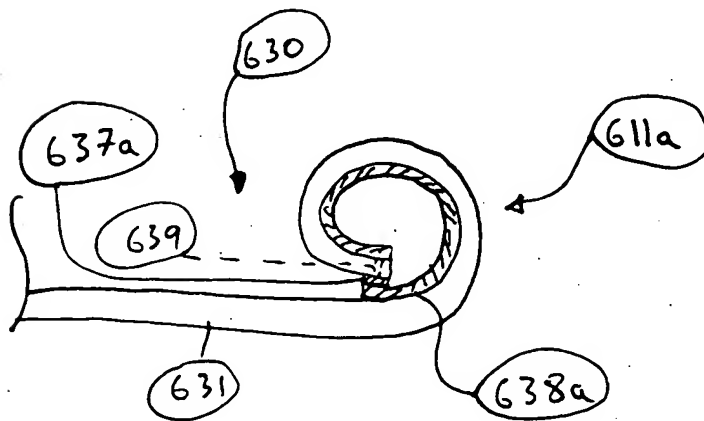
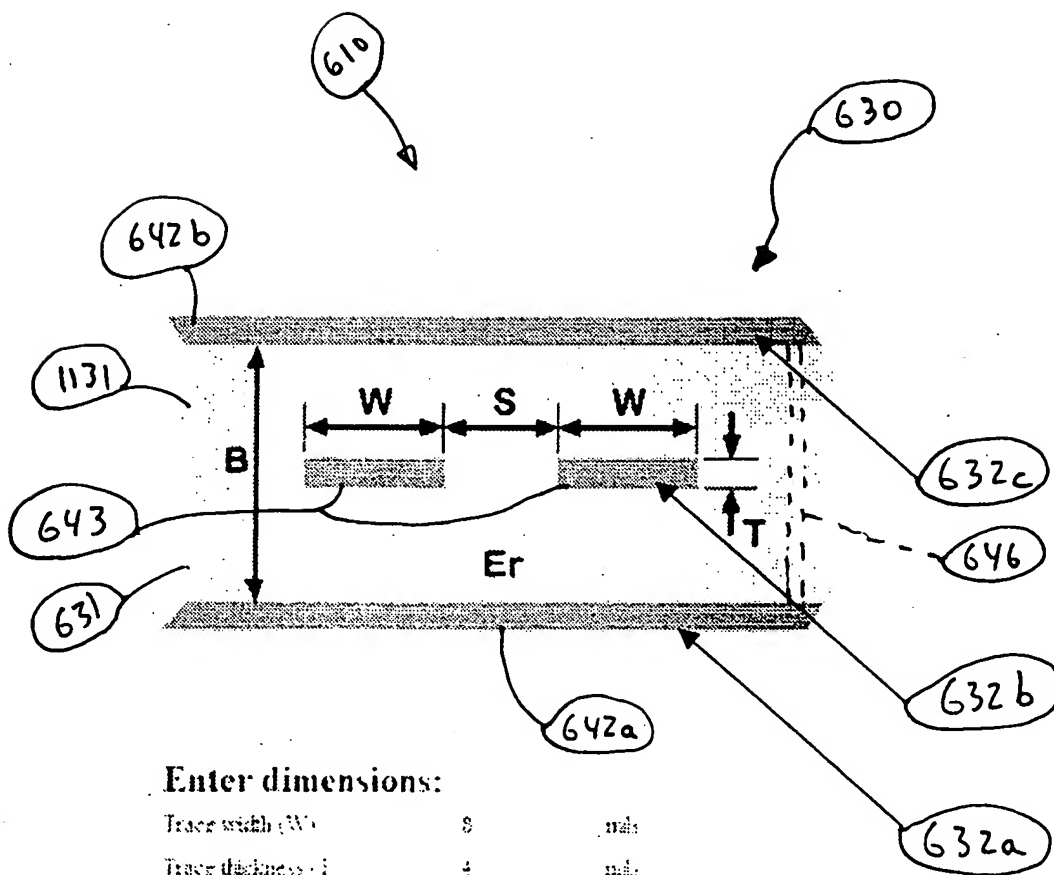


Fig. 10B

Fig. 11



Enter dimensions:

Trace width (W)	8	mil
Trace thickness (T)	4	mil
Trace spacing (S)	20	mil
Distance between planes (B)	14	mil
Relative Dielectric constant (Er)	3.5	
<input type="button" value="Compute Z"/>		
Differential Trace Impedance	62.5	ohms